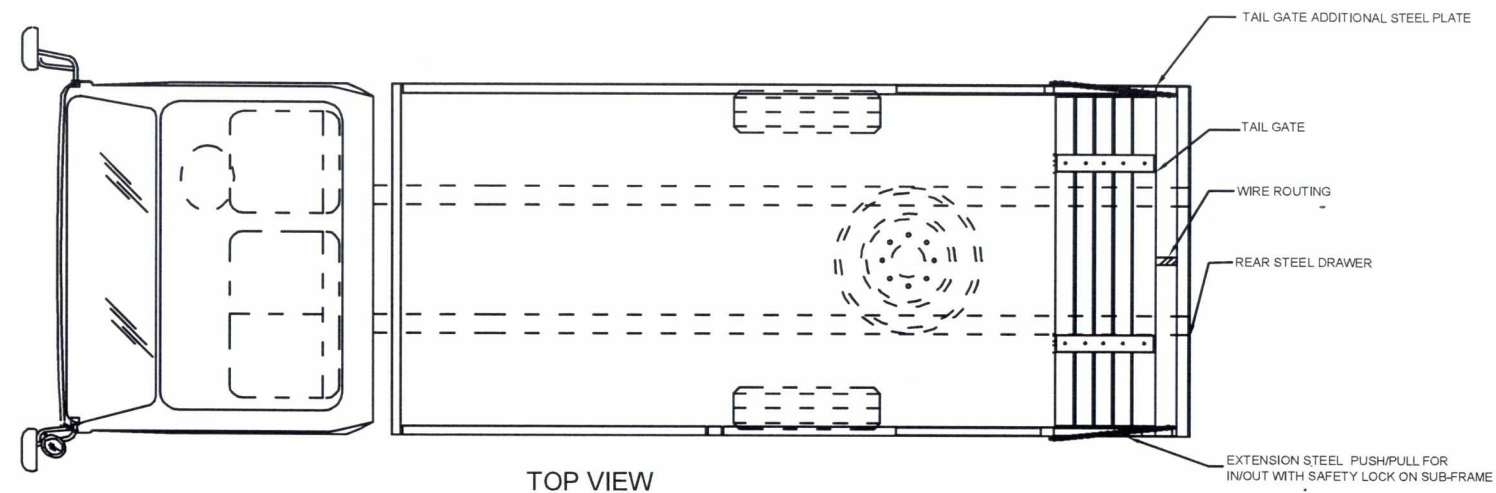


INSTRUCTION

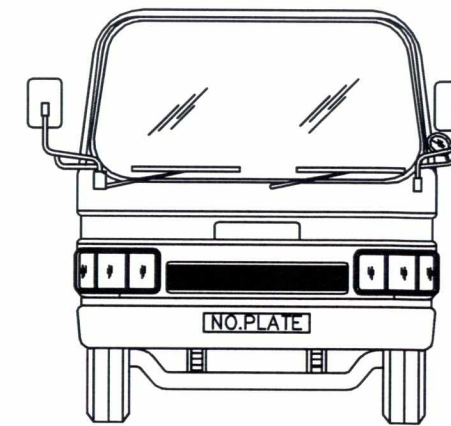
1. ALL DRAWER CONSTRUCTION MUST COMPLY WITH THIS SPECIFICATION.
2. ALL CONSTRUCTION MUST COMPLY WITH ENGINEERING CODE OF PRACTISE.

CONDITIONS :

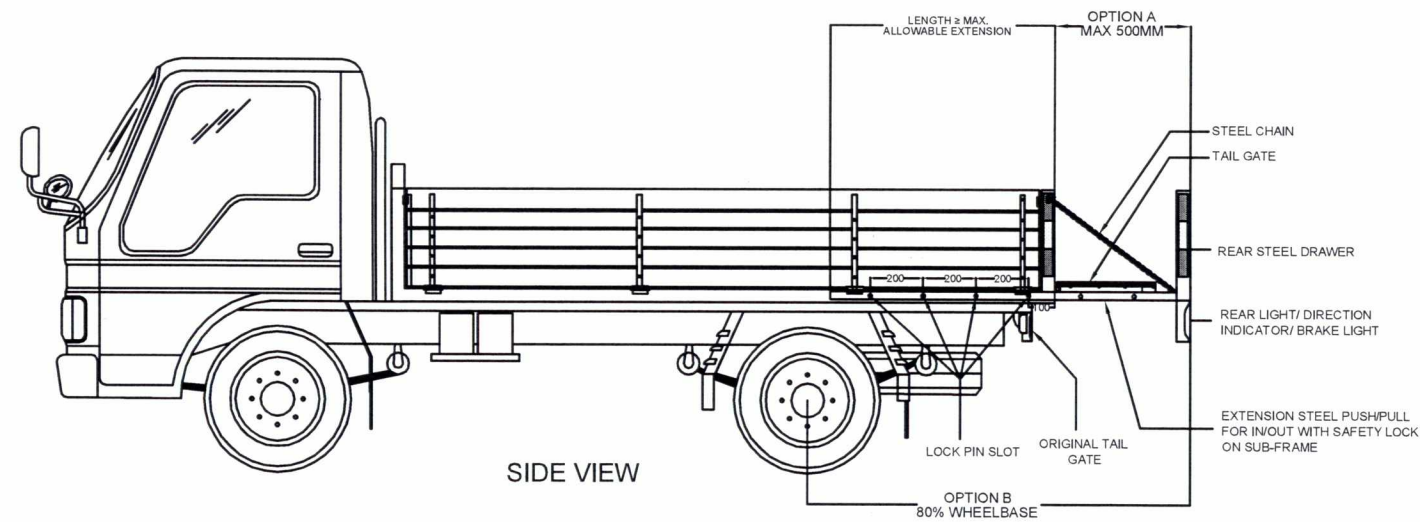
1. ALL DIMENSIONS IN MILIMETER (MM)
2. ALLOWABLE EXTENSION MUST BE NOT MORE THAN
 - A. 500MM; OR
 - B. 80% OF WHEELBASE MEASURED FROM CENTRE OF REAR TYRE TO END POINT OF DRAWER
3. HEIGHT & WIDTH OF DRAWER MUST BE SAME WITH SIDE GATE & TAIL GATE
4. INSTALLATION OF EXTENSION STEEL MUST BE EQUIPED WITH SAFETY LOCK TO AUTOMATICALLY LOCK WHEN IT IS PULLED TO MAXIMUM ALLOWABLE EXTENSION
5. MINIMUM 3 LOCK PINS MUST BE PROVIDED ON EXTENSION STEEL & SUB-FRAME / MAIN FRAME
6. THE SIZE FOR EXTENSION REAR LIGHT/DIRECTION INDICATOR / BRAKE LIGHT MUST BE BIGGER THAN ORIGINAL TAIL LIGHT
7. ELECTRICAL WIRE MUST BE INSULATED AND PROPERLY INSTALLED
8. DRAWER & EXTENSION STEEL MUST BE PAINTED WITH WHITE FLUORESCENT COLOR.



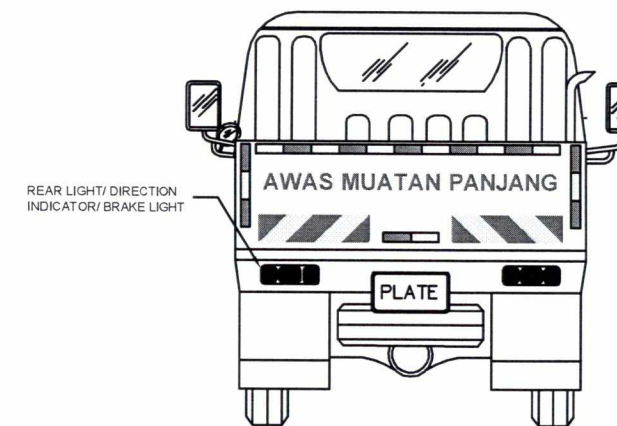
TOP VIEW



FRONT VIEW



SIDE VIEW



REAR VIEW

APPROVED BY

29 JAN 2015

DATO' IR. HJ. MOHAMAD BIN DALIB
DIRECTOR
AUTOMOTIVE ENGINEERING DIVISION
JPJ, MALAYSIA

TITLE :

PROPOSED DWG FOR INSTALLATION OF REAR DRAWER

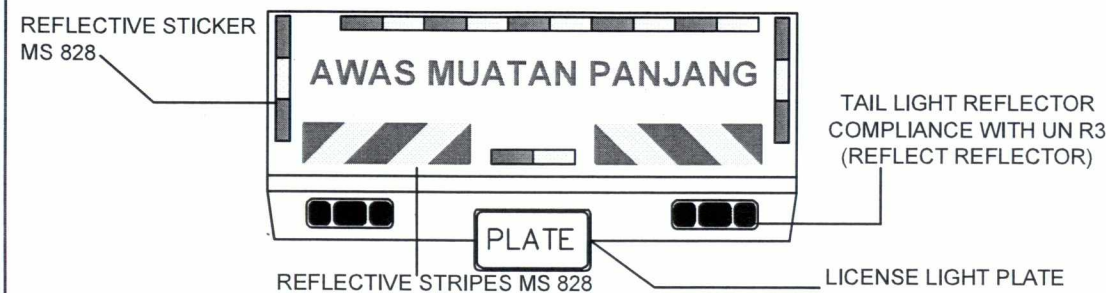
RIGID DECONTROLLED 2500KG & BELOW

PREPARED BY :

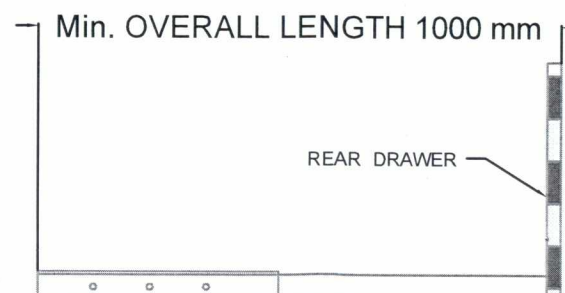
AUTOMOTIVE ENGINEERING DIVISION
ROAD TRANSPORT DEPARTMENT
MALAYSIA

DATE : 04 FEBRUARY 2015

REAR VIEW OF DRAWER



SIDE VIEW OF DRAWER



DIMENSION REFLECTIVE STICKER

